



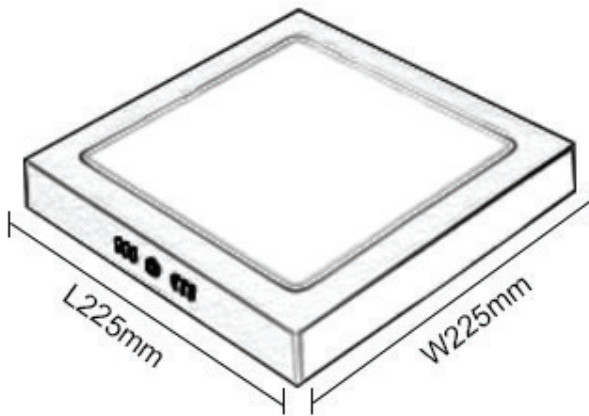
## LED SURFACE MOUNT PANEL LIGHT



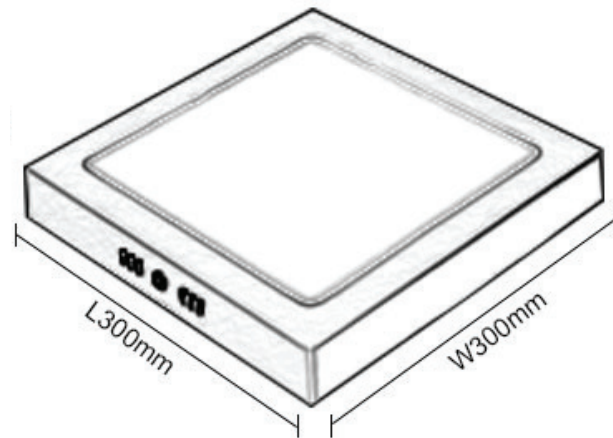
### PRODUCT DESCRIPTION

This Breezeway Light has a simple and linear appearance. It is completely sealed and warranted for bugs penetrating the lighted portion. They are most popular for office complexes, indoor and outdoor hallways, and multi-family properties.

## DIMENSIONS



13W



18W

## SPECIFICATIONS

Part Number	Input Power	Input Voltage	Efficiency	CCT	Light Distribution	CRI	Certificates	Warranty
JH-BWL13W-27R	13W	120-277VAC	100Lm/W	2700-6500K	120°	80+	UL, RoHS	5 Years
JH-BWL18W-27R	18W	120-277VAC	100Lm/W	2700-6500K	120°	80+	UL, RoHS	5 Years