



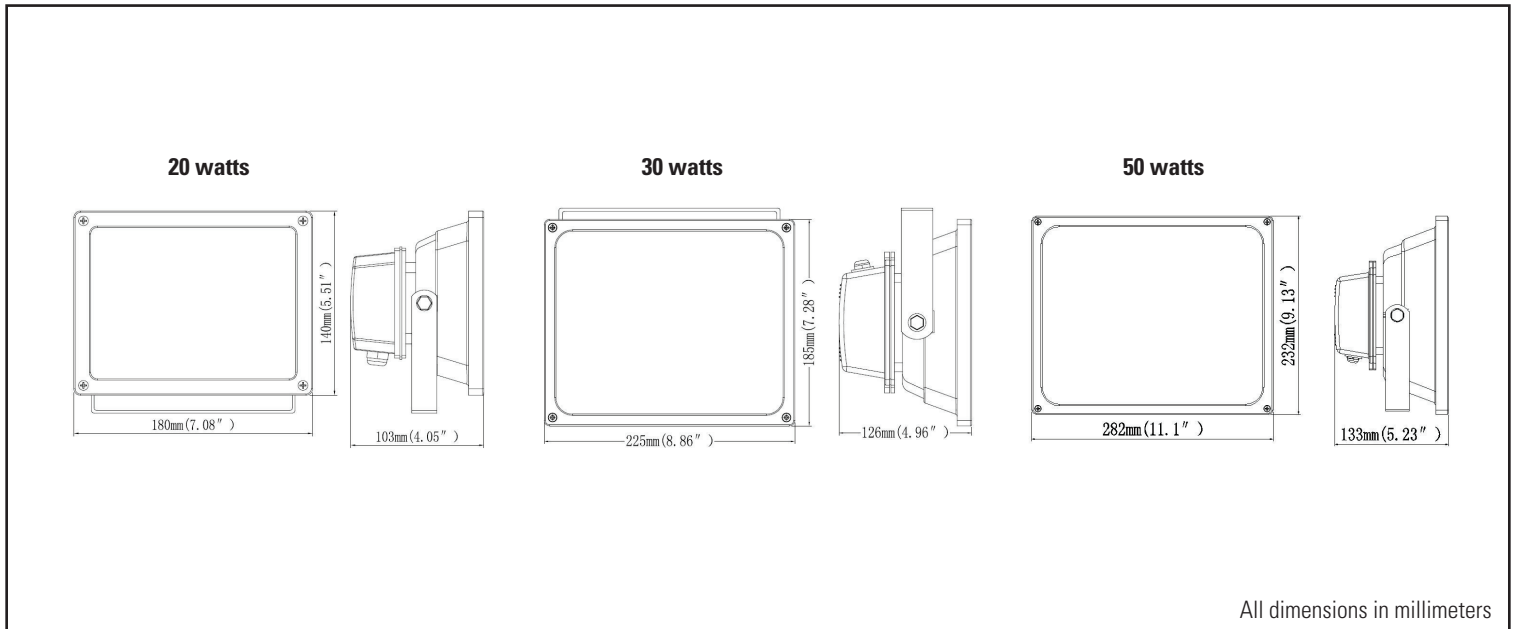
LED SPOT LIGHT



PRODUCT DESCRIPTION

LED Spot Lights can mount in almost any angle with a yoke-style arm. They are perfect for illuminating a variety of outdoor applications, including facade, wall washing, flags, statues, monuments, landscapes, and retail complexes. It also provides an added level of security for residential/commercial properties.

DIMENSIONS



SPECIFICATIONS

Part Number	Input Power	Input Voltage	Efficiency	CCT	Light Distribution	CRI	Certificates	Warranty
JH-SPL20W-82F	20W	100-277VAC	100Lm/W	3000-5700K	120°	75+	UL, DLC, RoHS	5 Years
JH-SPL30W-82F	30W	100-277VAC	100Lm/W	3000-5700K	120°	75+	UL, DLC, RoHS	5 Years
JH-SPL50W-82F	50W	100-277VAC	100Lm/W	3000-5700K	120°	75+	UL, DLC, RoHS	5 Years